

# Parastop II

## Multi-Composite

## Expandable Waterstop

## Specification Data

### Product Description:

A multiple composite waterstop which combines the strength and toughness of conventional waterstops with the self-sealing ability of bentonite.

### Basic Uses:

Parastop II is used to seal cold joints in concrete, to create water dams under roofing membranes, to create water dams on under floor membranes and to prevent water migration in joints. It functions at water depths in excess of one hundred feet. When installed as directed, Parastop II will absolutely stop the passage of water through a static cold joint or between any two impermeable surfaces.

### Packaging:

25' x 1½" and 25' x 3" rolls. Packaged individually 200 lineal feet per box (1½") and 100 lineal feet per box (3").

### Limitations:

Contact manufacturer whenever conditions of acid, alkali or salt brine



## TECHNICAL DATA

### Physical Properties:

Physical Properties:	Value	Test Method
Pliability: 180° Bend over 1" mandral @ -25°F	10,000	ASTM D146
Tensile strength	4,000 PSI	ASTM D412
Softening Point	N.A.	ASTM D30
% Elongation-ultimate failure of membrane	700%	D638 Type 4
Specific Gravity	1.8	ASTM D-71
Resistance to water migration	No migration at 100' head	
Water migration through joint	None	
Permeability through membrane	.001 Perm.	
Installation Temperature	-30°F to 140°	
Operating Temperature	-45°F to 270°F	
Life Expectance	Longest life expectancy of all organic membranes	
Toxic/Staining	None (do not injest)	
Freeze/thaw and wet/dry cycles	no affect	

or other chemicals exist. Do not install in standing water or over snow or ice.

### INSTALLATION:

#### Preparatory work:

Remove protrusions or indentations over ¼" in dimension in all areas where Parastop II will be installed. Install the 1½" Parastop II by laying flat on concrete and nailing every 1' - 2'. Overlap joint 2" and secure with case hardened washered nail.

#### STORAGE:

Protect from moisture, store in dry area.

#### AVAILABILITY:

Parastop II is available throughout the United States. Contact manufacturer for nearest source.

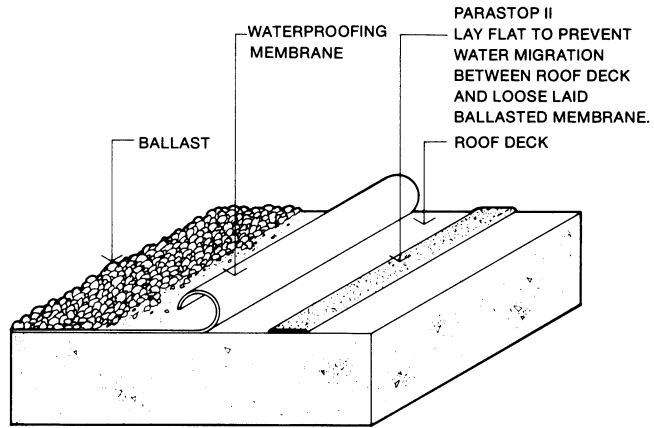
### WARRANTY

MAMECO warrants its Paraseal products to be free of defects in any materials, but makes no warranty as to appearance or color. Since methods of application can affect performance, MAMECO makes no other warranty, express or implied, including warranties of MERCHANTABILITY and FITNESS FOR A PARTICULAR PURPOSE, with respect to Paraseal products. MAMECO's sole obligation shall be, at its option, to replace or to refund the purchase price of the quantity of Paraseal product proved to be defective and MAMECO shall not be liable for any loss or damage including incidental or consequential damages arising from the use of Paraseal products.

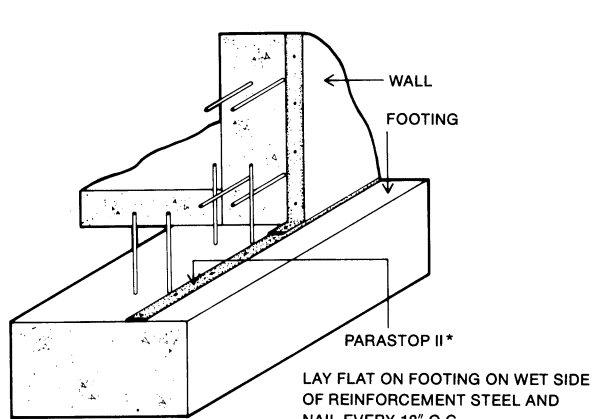
# FABRIKEM

## MANUFACTURING LTD.

20361 Duncan Way, Langley, B.C. V3A 7N3  
 Telephone: (604) 532-3883 Facsimile: (604) 532-3164  
 Toll Free Telephone: (800) 441-7456  
 Website: [www.fabrikem.com](http://www.fabrikem.com)  
 Email: [info@fabrikem.com](mailto:info@fabrikem.com)

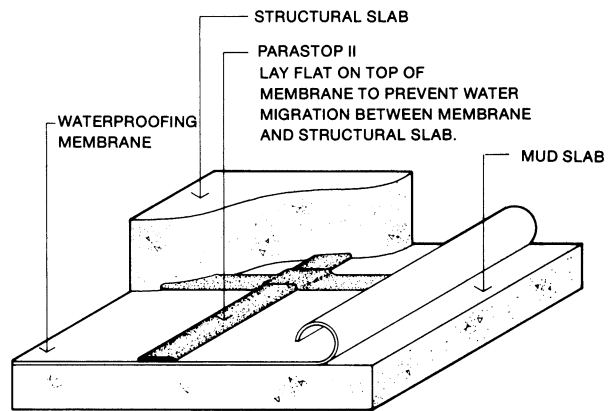


HORIZONTAL INSTALLATION ON ROOF DECK

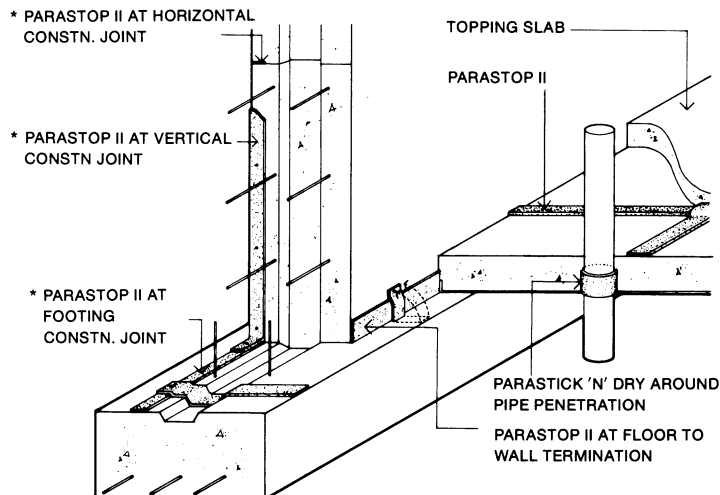


LAY FLAT ON FOOTING ON WET SIDE OF REINFORCEMENT STEEL AND NAIL EVERY 18" O.C. OVERLAPS MUST BE 2" MIN.

HORIZONTAL INSTALLATION



HORIZONTAL CROSS HATCHED INSTALLATION UNDER FLOOR SLAB



TYPICAL INSTALLATION AT FOOTING TRANSITIONS

\*If the exterior will not receive a Paraseal Membrane, Parastop II must be positioned a minimum of 3/4" in from the outer edge of the wall.