

# Paraseal Paraterm Bar™

## Aluminum Termination Bar

Specification  
Data

### Product Description:

#### Basic Use:

Paraterm is a high performance roofing and waterproofing product for systems which require or prefer accessories of the highest quality good looks and long life. When fastened through the pre-cut holes, Paraterm provides tight, straight and extremely long lived terminations, caulk troughs and drip edges. Paraterm can be inverted to protect the edges of waterproofing products which do not require a caulk edge.

#### Materials:

Paraterm is composed of an aluminum alloy specially formulated to exhibit terrific holding power. 115 mill finish is 13% heavier than most termination bars in common use. This high strength assures bowless installations making Paraterm excellent for the attachment of both single ply and modified sheet materials. (Available with or without pre-cut holes)

#### Packaging:

Shipped in water and corrosion resistant bundles containing approx. 500 lin ft. (50 pcs. x 10') FOB Spearfish, S.D.

#### Limitations:

Allow for expansion and contraction when used above grade. Make certain fasteners are centered in holes.

#### INSTALLATION:

##### Preparatory Work:

Substrate should be reasonably straight and sound enough to provide a permanent attachment. Position fasteners to allow a small amount of expansion and contraction movement.

#### AVAILABILITY:

Immediately available from distributors worldwide.



#### WARRANTY:

MAMECO warrants its products to be free of defects in any materials, but makes no warranty as to appearance and color. Since methods of application can affect performance, MAMECO makes no other warranty, express or implied, including warranties of MERCHANTABILITY and FITNESS FOR A PARTICULAR PURPOSE, with respect to its products. MAMECO's sole obligation shall be, at its option, to replace or to refund the

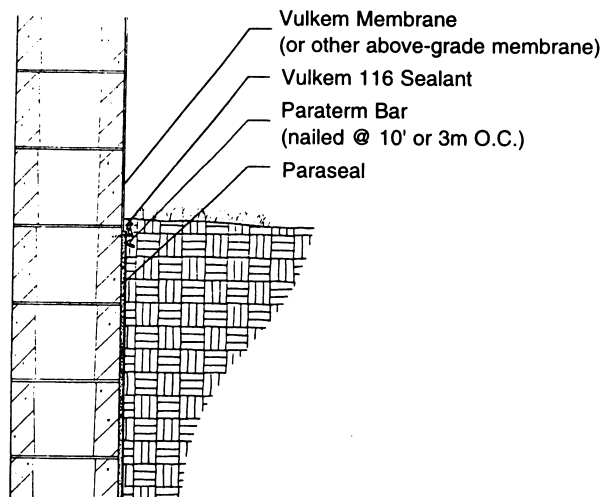
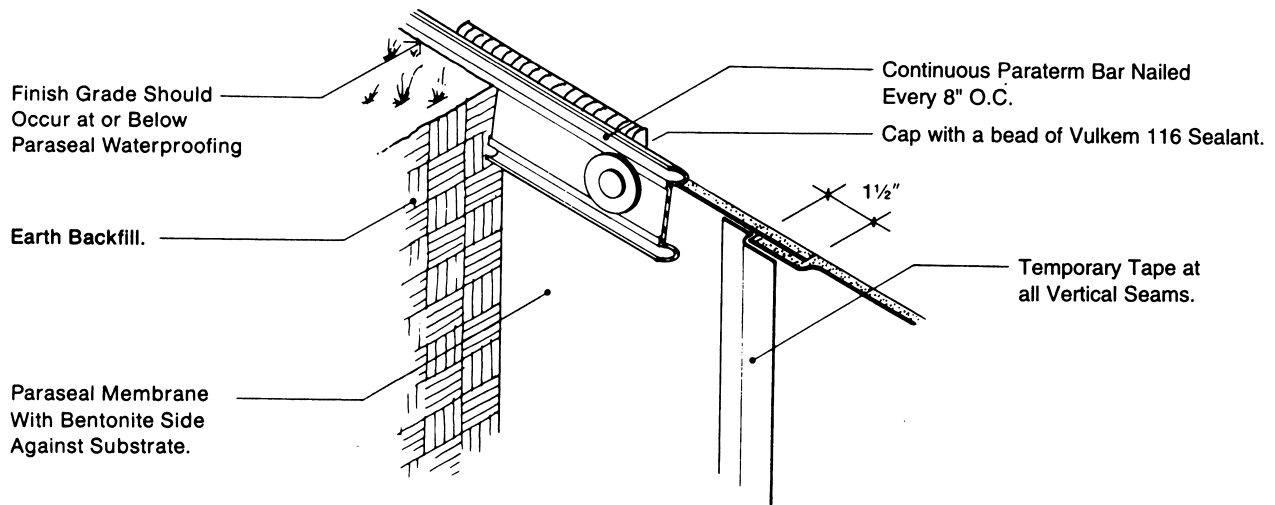
purchase price of the quantity of product proved to be defective and MAMECO shall not be liable for any loss or damage including incidental or consequential damages arising from the use of its products.

#### TECHNICAL SERVICES:

Complete technical expertise is available upon request to the manufacturer.

**Technical Data:**

Strength	35,000 LB/IN <sup>2</sup>
	15,855 KG
Yield	31%
Elongation (Per foot = 1/16")	12%
Hardness Burnell #73	1124 LBS
	510 KG
	(on a 10MM Ball)



**FABRIKEM**  
MANUFACTURING LTD.

20361 Duncan Way, Langley, B.C. V3A 7N3  
Telephone: (604) 532-3883 Facsimile: (604) 532-3164  
Toll Free Telephone: (800) 441-7456  
Website: [www.fabrikem.com](http://www.fabrikem.com)  
Email: [info@fabrikem.com](mailto:info@fabrikem.com)